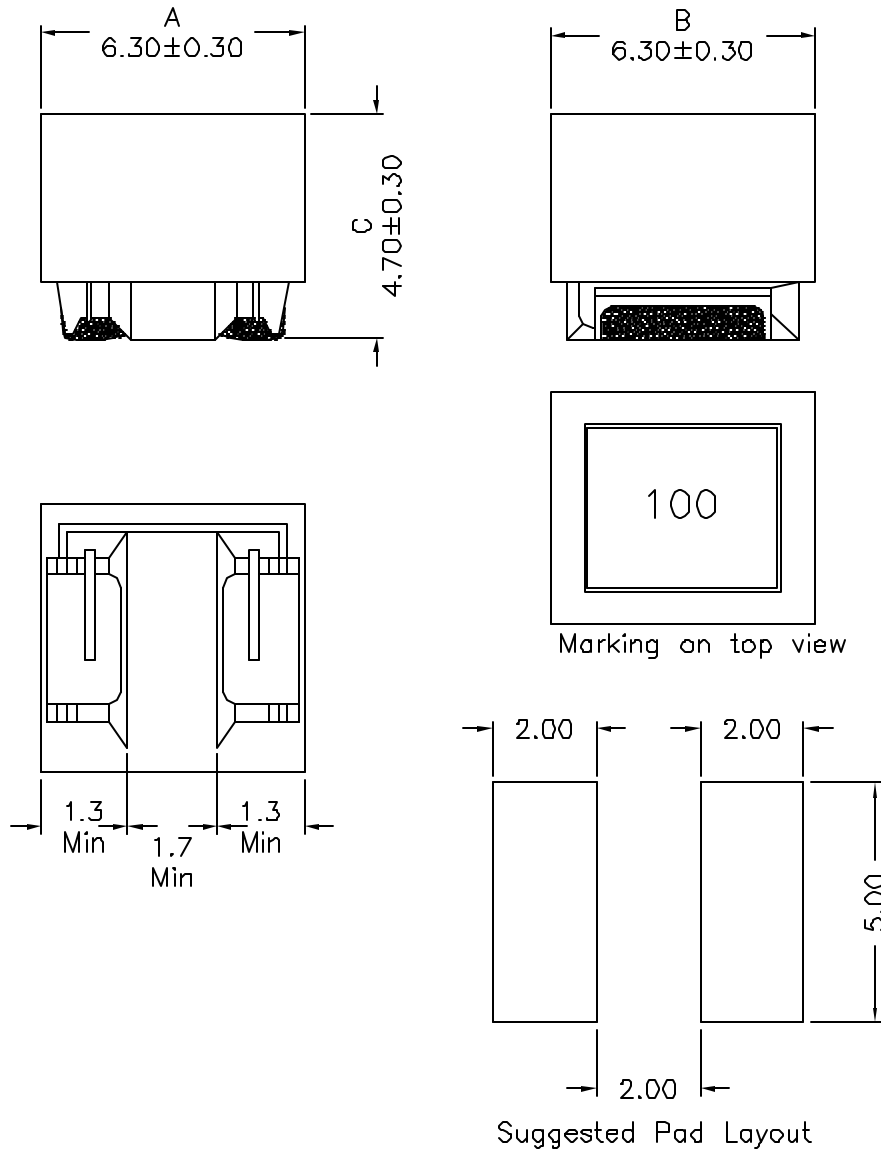
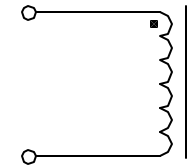


### 1. Mechanical Dimensions:



### 2. Schematic:



### 3. Electrical Specifications:

OCL:  $10\mu\text{H} \pm 20\%$  @1MHz 1V, 1600mA  
 DCR:  $0.036$  Ohms  $\pm 40\%$   
 SRF: 20MHz Min

**Notes:**

1. Solderability: Leads shall meet MIL-STD-202, Method 208D for solderability.
2. Flammability: UL94V-D
3. ASTM oxygen index:  $> 28\%$
4. Insulation System: Class F 155°C. UL file E151556
5. Operating Temperature Range:  $-25^\circ\text{C}$  to  $+80^\circ\text{C}$

<b>XFMRs Inc</b>	Title: <b>INDUCTOR</b>		
UNLESS OTHERWISE SPECIFIED TOLERANCES: .xx $\pm 0.25$ . Dimensions in MM	P/N: XFWIC575047SH-100M		REV. A
	DWN.	Juan Mao	May-03-04
	CHK.	YK Liao	May-03-04
Scale 2.5:1 SHT 1 OF 1	APP.	MS	May-03-04

DOC REV: A/3